

# ESTATE™

---

**SCREEN DOOR**

**NPI Launch:  
April 7, 2017**

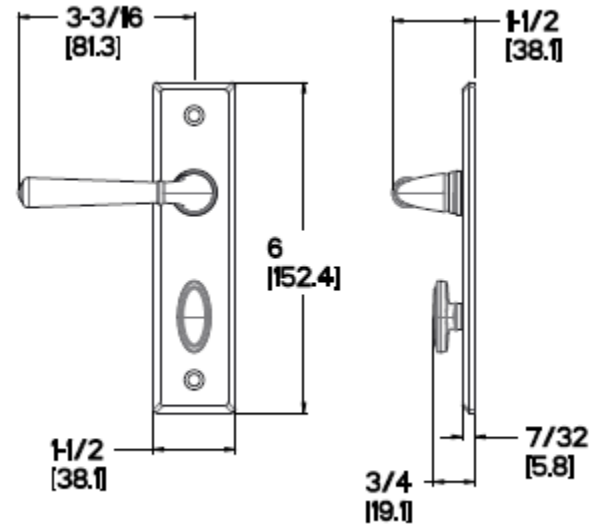
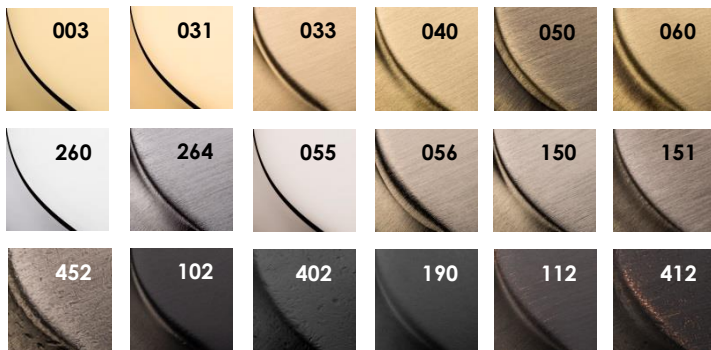


# Concord Screen Door (SD004)



Item #	Description	031, 033, 040 050, 060, 102 003, 055, 112, 150, 151, 056, 402	
		Wt. 190, 260, 264	412, 452
SD004.xxx.PRIV	Concord Privacy Set	\$445	\$490
SD004.xxx.PASS	Concord Passage Set	395	435
SD004.xxx.KNOS	Concord Cut for Knob (KN), Outside	56	62
SD004.xxx.KNIS	Concord Cut for Knob (KN), Inside	56	62
SD004.xxx.KTIS	Concord Interior Escutcheon w/Turn Knob (KT)	90	95

## Finishes Available

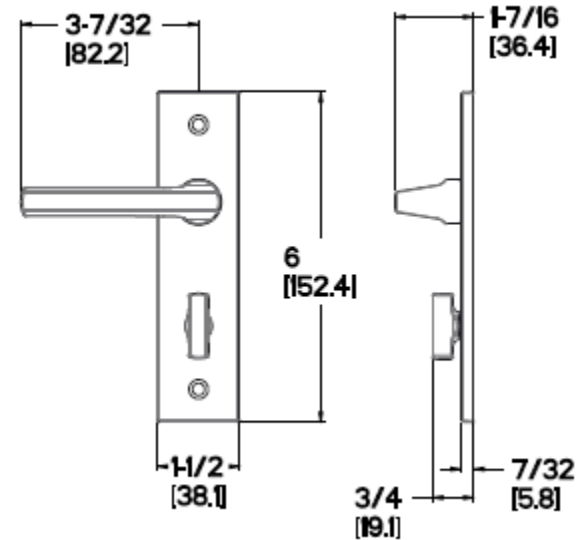
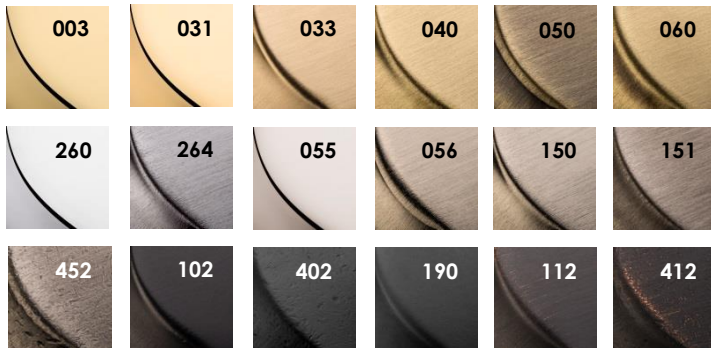


# Minneapolis Screen Door (SD005)



Item #	Description	031, 033, 040		
		050, 060, 102	003, 055, 112, 150, 151, 056, 402	
Wt.		190, 260, 264	412, 452	
<b>SET</b>	SD005.xxx.PRIV	Minneapolis Privacy Set	\$445	\$490
	SD005.xxx.PASS	Minneapolis Passage Set	395	435
<b>TRIM</b>	SD005.xxx.KNOS	Minneapolis Cut for Knob (KN), Outside	56	62
	SD005.xxx.KNIS	Minneapolis Cut for Knob (KN), Inside	56	62
	SD005.xxx.KTIS	Minneapolis Escutcheon w/Tum Knob (KT)	90	95

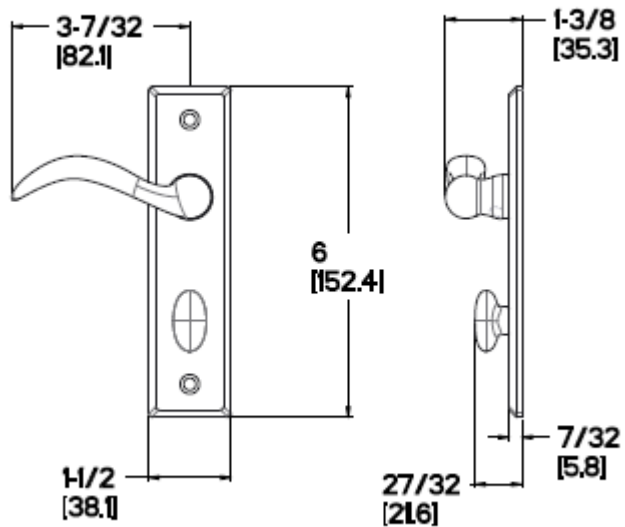
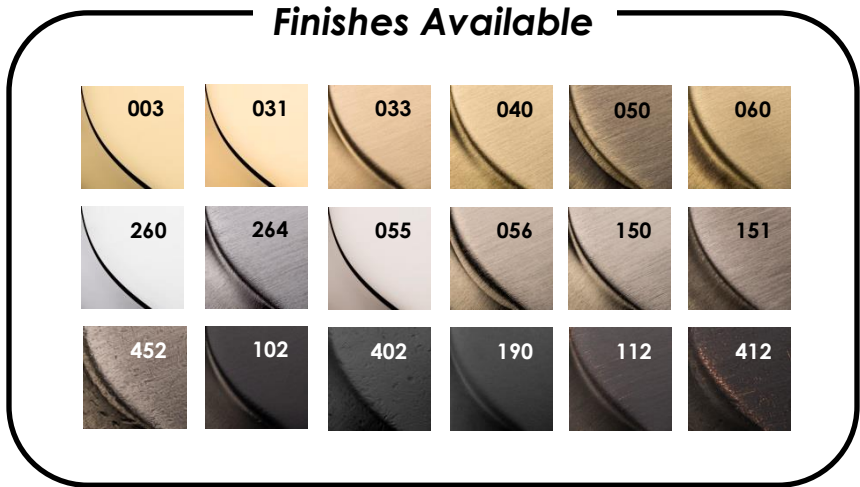
## Finishes Available



# Cody Screen Door (SD015)



Item #	Description	Wt.	031, 033, 040	003, 055,
			050, 060, 102	056, 402
SD015.xxx.PRIV	Cody Privacy Set		\$445	\$490
SD015.xxx.PASS	Cody Passage Set		395	435
SD004.xxx.KNOS	Cody/Condord Outside KN		56	62
SD004.xxx.KNIS	Cody/Condord KNIS		56	62
SD015.xxx.KTIS	Cody KTIS		90	95



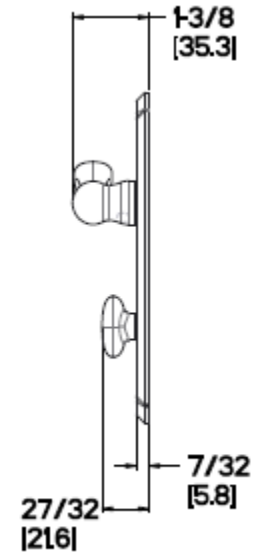
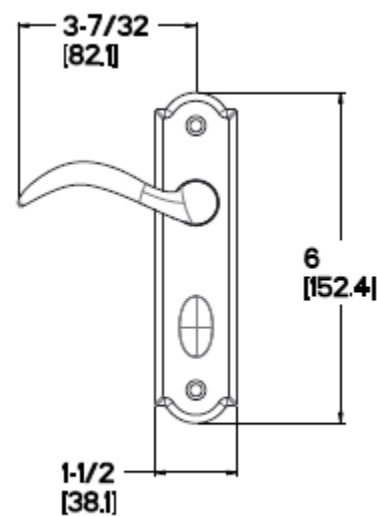
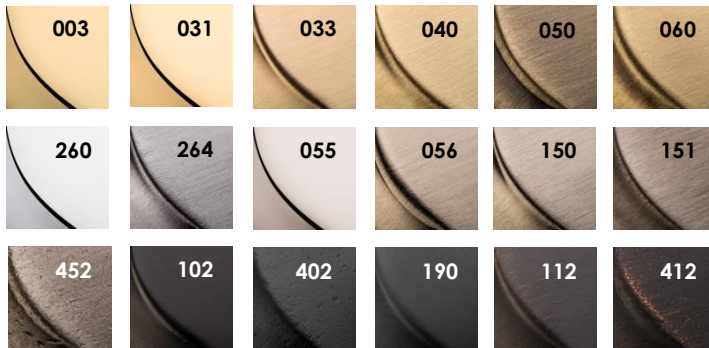
# Boulder Screen Door (SD016)



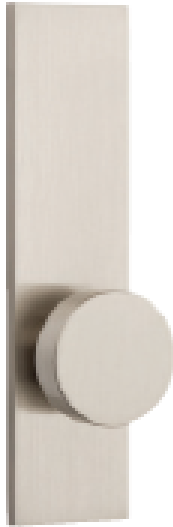
031, 033, 040  
050, 060, 102 003, 055,  
112, 150, 151, 056, 402  
Wt. 190, 260, 264 412, 452

	Item #	Description		
SET	SD016.xxx.PRIV	Boulder Privacy Set	\$445	\$490
	SD016.xxx.PASS	Boulder Passage Set	395	435
TRIM	SD016.xxx.KNOS	Boulder Cut for Knob (KN), Outside	56	62
	SD016.xxx.KNIS	Boulder Cut for Knob (KN), Inside	56	62
	SD016.xxx.KTIS	Boulder Escutcheon w/Turn Knob (KT)	90	95

## Finishes Available

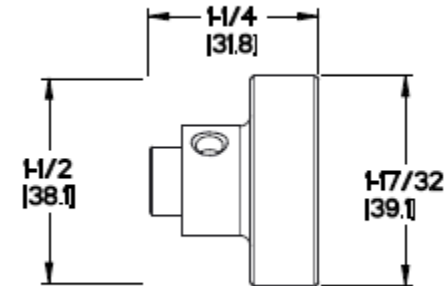
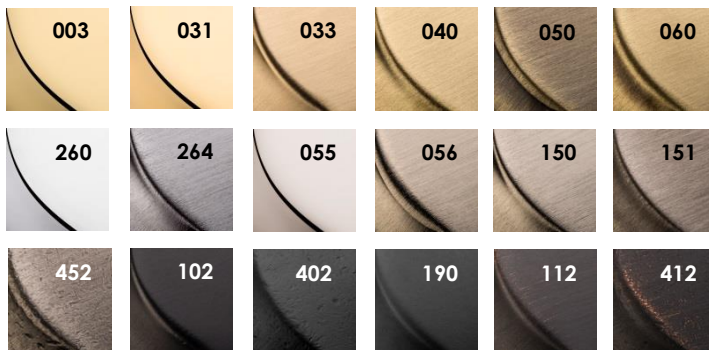


# Contemporary Knob Screen Door (K010)

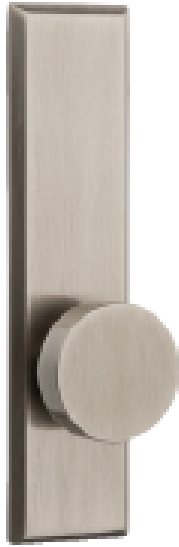


Item #	Description	Wt.	031, 033, 040 050, 060, 102 112, 150, 151, 190, 260, 264	003, 055, 056, 402 412, 452
K010.xxx.MR	Minus Roses - Pair		\$100	\$110
K010.xxx.IMR	Individual Minus Rose - Half Pair		50	55

## Finishes Available

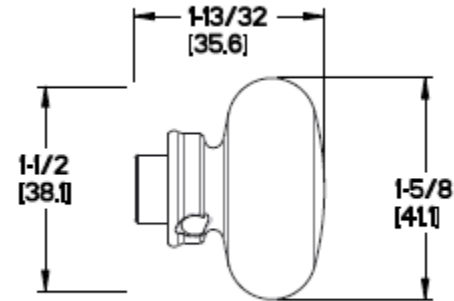
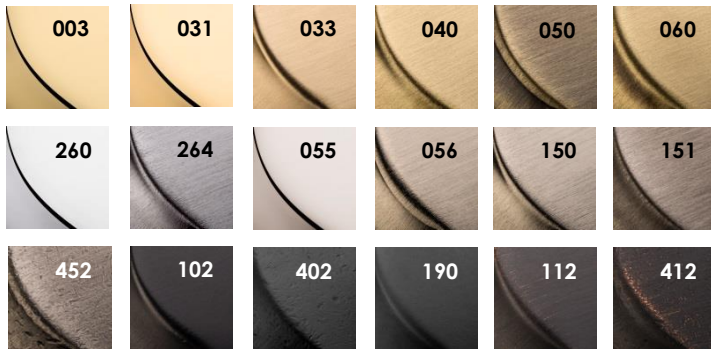


# Traditional Knob Screen Door (K011)



Item #	Description	Wt.	031, 033, 040 050, 060, 102 112, 150, 151, 190, 260, 264	003, 055, 056, 402 412, 452
K011.xxx.MR	Minus Roses - Pair		\$100	\$110
K011.xxx.IMR	Individual Minus Rose - Half Pair		50	55

## Finishes Available

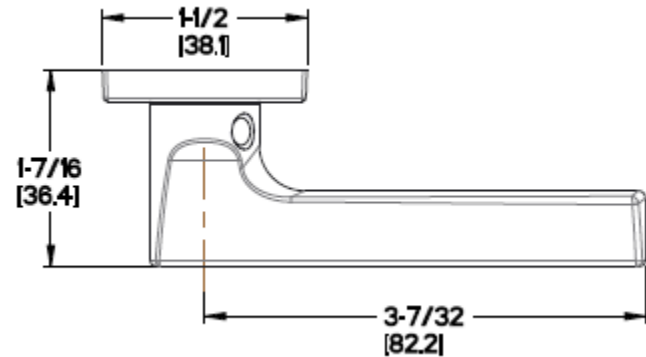
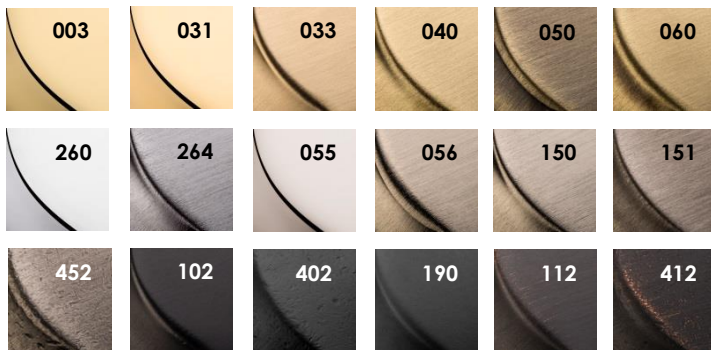


# Contemporary Lever Screen Door (L026)



Item #	Description	Wt.	031, 033, 040	003, 055,
			050, 060, 102	056, 402
L026.xxx.MR	Minus Roses - Pair		\$100	\$110
L026.xxx.RMR (.LMR)	Right (Left) Minus Rose - Half Pair		50	55

## Finishes Available



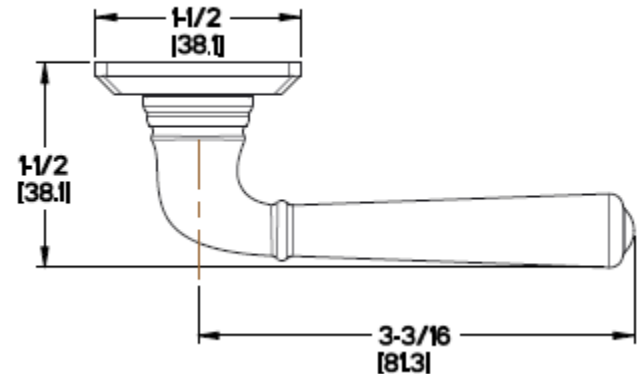
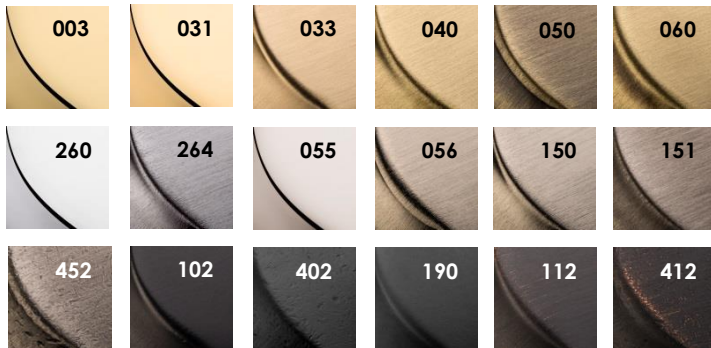


# Traditional Lever Screen Door (L027)



Item #	Description	Wt.	031, 033, 040 050, 060, 102 112, 150, 151, 190, 260, 264	003, 055, 056, 402 412, 452
L027.xxx.MR	Minus Rose - Pair		\$100	\$110
L027.xxx.RMR (.LMR)	Right (Left) Minus Rose - Half Pair		50	55

## Finishes Available

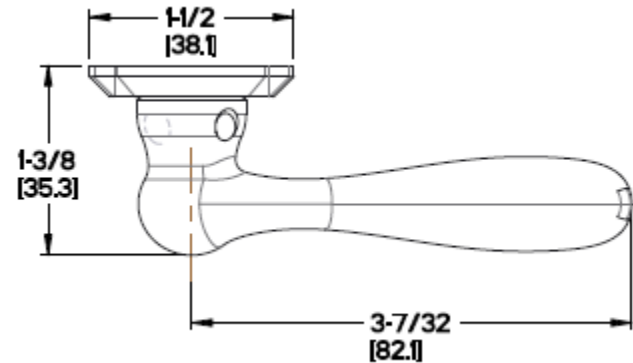
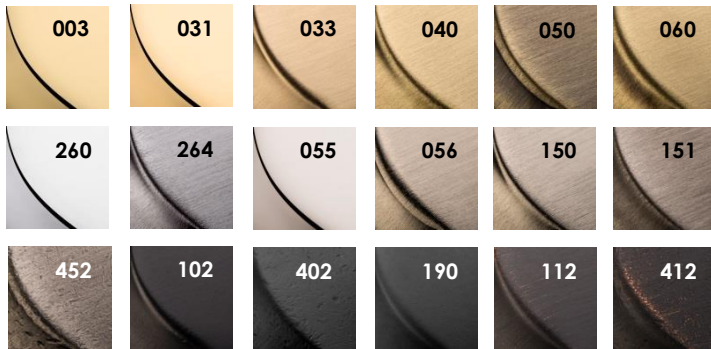


# Rustic Lever Screen Door (L028)

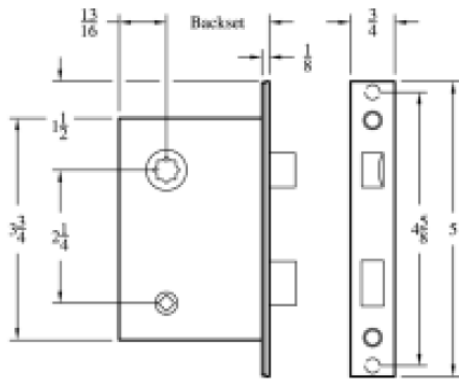
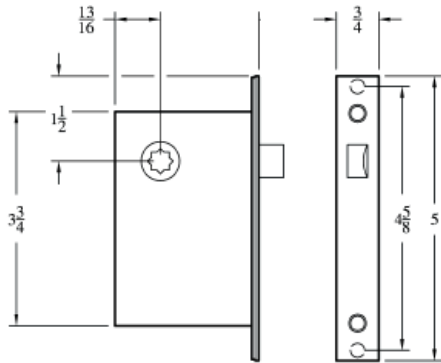


Item #	Description	Wt.	031, 033, 040 050, 060, 102 112, 150, 151, 190, 260, 264	003, 055, 056, 402 412, 452
L028.xxx.MR	Minus Rose - Pair		\$100	\$110
L028.xxx.RMR (.LMP)	Right (Left) Minus Rose - Half Pair		50	55

## Finishes Available



# Mortise Locks (8520 + 8525)



Item #	Description	Wt.	
		031, 033, 040 050, 060, 102 112, 150, 151, 190, 260, 264	003, 055, 056, 402 412, 452
8520.xxx	Screen Door - Passage Lock	\$215	\$230
8525.xxx	Screen Door - Private Lock	230	250
8520.xxx.0004	Passage Armored Front	30	45
8525.xxx.0004	Privacy Armored Front		
0508.004	Broached Straight - Spindle	12	

## Finishes Available



**LOCKS:** Standardized heavy steel case is smooth, easy to mortise, and assures snug and solid fit in door mortise.

Vital interior working parts are made of brass (non-ferrous) and stainless steel (non-corrosive) for a lifetime of trouble-free operation.

All lock cases are constructed of heavy gauge stainless steel (.060 in / 1.5 mm) non-corrosive material.

**BACKSET:** 1-1/2"

**FACEPLATE:** Wrought brass or stainless steel, available in standard finishes.

**DEADBOLT:** 8525 lock is equipped with a 7/16" (11mm) throw deadbolt with Brass or Stainless Steel that engage strike. Furnished in US4 and 26D finishes depending on faceplate finish.

**LATCHBOLT:** 8525 AND 8520 locks are equipped with a 3/8" (10mm) throw latchbolt with Brass or Stainless Steel that engage strike. Furnished in US4 and 26D finishes depending on faceplate finish.

**HUB:** 8520 and 8525 locks include turn hub with .29" (7mm) hole broached on the diamond.

**TURN HUB:** 8525 lock include turn hub with .19" (5mm) hole broached on the diamond.

**SPACING:** Center to center of Turn Hub to Hub of 8525 is 2.25" (57mm).

**STRIKE:** Wrought brass or stainless steel finished to match. Included with 8520 and 8520 locks.

**TEMPLATE:** Provided along with install instructions with all locks. Face cutouts are subject to variation. Always review trim requirements before door preparation

# Packaging



## **Passage/Privacy Sets:**

Utilize same box as the PDL passage sets

## **A la carte Trims: 1-1/2"**

Utilize same box as the PDL a la carte trims

## **A la carte Levers/Knobs:**

Utilize same box as current a la carte lever/knobs

## **A la carte locks:**

Utilize white box from Accurate (similar to all other locks)



## **A la carte locks:**

Ships in a plastic bag

## **Included with Passage and Privacy sets**

Template for Mortise Box and Strike	PK.1260
Template for Trim	PK.1261
Installation Guide for Mortise Box and Strike	PK.1270
Installation Guide for Trim	PK.1271

## **Included with a la carte trims**

Template for Trim	PK.1261
Installation Guide for Trim	PK.1271

## **Included with a la carte locks**

Template for Mortise Box and Strike	PK.1260
Installation Guide for Mortise Box and Strike	PK.1270

# Screen Door Sales Sample & Display Plan



Exterior  
Concord  
003



Interior  
Minneapolis  
150

## **Concord x Minneapolis Style Screen Door Sample/Customer Display**

- Each Showroom TM will receive one screen door sample mount.
- Customers will receive one screen door sample mount based on the priority shipping list provided by Aaron Brueck.
- Sales sample and customer display are exactly the same product and mount.
- Product is the Concord Trim/Lever in Polished Brass (exterior) x Minneapolis Trim/Lever in Satin Nickel finish (interior) on a Poplar wood mount with Baldwin logo badge.
- These samples will automatically ship to the Showroom TMs and customer (you do not need to place a separate order in SFDC).

**Sales Samples Ship the Week of 4/17  
Customer Displays Ship the Week of 5/8**