

BACKSET:

2.75" – for doors 1.75" thick and over
STEEL CASE: .875" x 4" x 5.5"
 (22 x 102 x 140mm)

2.5" – for doors 1.375" thick and over,
 1.375" doors REQUIRE 1" FRONT
STEEL CASE: .75" x 3.5" x 5.5"
 (19 x 89 x 140mm)

NOTE: Baldwin recommends the usage of 2.75" backset locks for doors thicker than 2" or doors 8ft or taller.

1.5" (38mm) and 2" (51mm) Narrow Backset – for doors 1.375" thick and over
STEEL CASE: 1.5" Backset: .75" x 1.5" x 5.5"
 (19 x 64 x 140mm)

NOTE: Baldwin recommends the usage of 2.75" backset locks for doors thicker than 2" or doors 8ft or taller.
 2.0" Backset: .75" x 3" x 5.5"
 (19 x 76 x 140mm)

LOCK SPECIFICATIONS:

- Standardized heavy steel case is smooth, easy to mortise, and assures snug and solid fit in door mortise.
- Vital interior working parts are made of solid hot forged brass or steel for a lifetime of trouble-free operation.
- All lock cases are constructed of heavy gauge steel (.093–2.4mm - material) and plated with a protective rust-resistant coating to retard oxidation.
- All locks and strikes are designed to fit standard preparation ANSI A115.1 (face cut outs are subject to variation).
- Locks have adjustable forged brass lock fronts, protected by armor scalp fronts for ultimate Strength and protection against tampering.
- All KEYED lock functions illustrated within this section are furnished with a specially- designed security strike constructed of high grade steel for ultimate Strength and durability. The security strike is mortised into the wood jamb and anchored to the structural components of the opening with two 3" steel screws and covered with a finished strike to conceal the fasteners.
- Most lock functions are completely reversible in the field to facilitate installation.
- The bevel of front is adjustable from flat to standard bevel .125" on 2" (3mm on 51mm).
- Most metal door and frame manufacturers have provided reinforcements for Baldwin Mortise Locks.

FRONT: Hot forged brass .218" x 1.25" x 8" (6 x 32 x 203mm). Adjustable for beveled conditions.

SCALP: Wrought brass and bronze, available in standard finishes.

ANTI-FRICTION LATCH BOLT: Furnished with all 2.75" and 2.5" backset locks
 2.75" – .625" x 1" (16 x 25mm) x .75" (19mm) throw.
 2.5" – .5" x 1" (13 x 25mm) x .75" (19mm) throw
 Furnished in US4 and 26D finishes to match trim

SOLID LATCH BOLT: All 1.5" (38mm) and 2" (51mm) backset locks are furnished standard with a solid latch bolt of .5" (13mm) throw and 1" (25mm) wide front. An optional 1.25" (32mm) wide front is available.

DEADBOLT: 2.5" and 2.75" backsets equipped with a 1" (25mm) throw deadbolt with two hardened steel inserts for maximum protection and security. All deadbolts are of forged brass construction. Locks designed with 1.5" (38mm) and 2" (51mm) backsets have a .5" (13mm) throw deadbolt.
 Furnished in US4 and 26D finishes to match trim.

HUB SIZE: .29" (7mm) with two-way rotation. Broached on the diamond.
 (One-way rotation on LS functions).

SPACING: center to center of: Knob Hub to cylinder 3.437" (87mm)
 Knob Hub to turn piece 2.25" (57mm)

CYLINDER: Standard mortise type with 03 keyway and two nickel silver keys.
 Cylinder is not supplied with lock.

KEYING: All levels of Keying including Construction Keying are available.

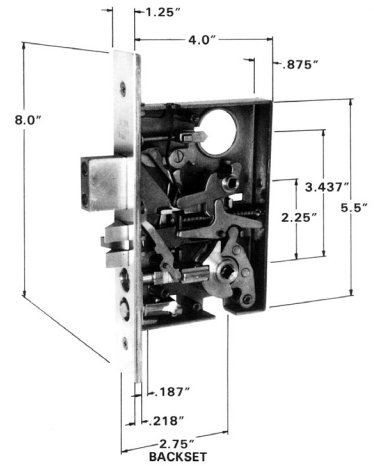
STRIKE: Wrought brass and bronze finished to match. Supplied to ANSI standard A115.1, 1.25" (32mm) lip to center. Locks furnished standard with straight lip strike (Universal) and dust box. Curved lip and special length strikes available. All KEYED lock functions are furnished standard with a high grade steel security strike and two 3" steel screws.

TEMPLATE: Metal doors/frames to be prepared in accordance with ANSI A115.1 or A115.11.
 Face cutouts are subject to variation. always review trim requirements before door preparation.

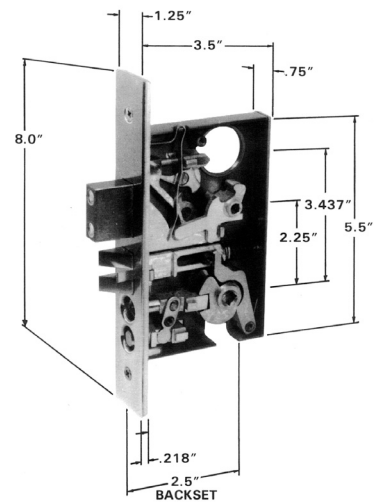
WARNING: 1.5" AND 2.0" BACKSET LOCKS ARE designed to be used with levers. If knobs are specified, customer should be advised that the knob will only turn in one direction and will have a stiff turning action: NOT RECOMMENDED.

All 2.5" and 2.75" Entrance Mortise Locks are U/L Listed

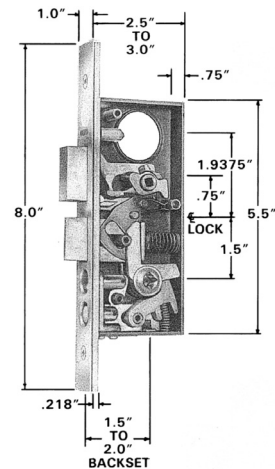
Baldwin UL-listed 2.5" and 2.75" mortise locks meet US standard UL-10C and Canadian standard CAN4 S104-M80 for survival of a 3-hour burn under positive pressure. All Baldwin Estate Collection mortise entry trim and Estate Collection knob/lever trim may be used with Baldwin UL-listed mortise locks.



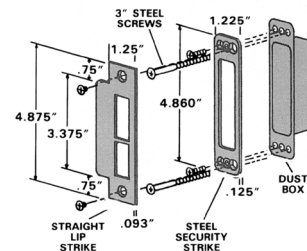
2.75" Backset for doors 1.75" thick and over



2.5" Backset for doors 1.375" thick and over



1.5" & 2" Backset for doors 1.375" thick and over



MORTISE LOCKS